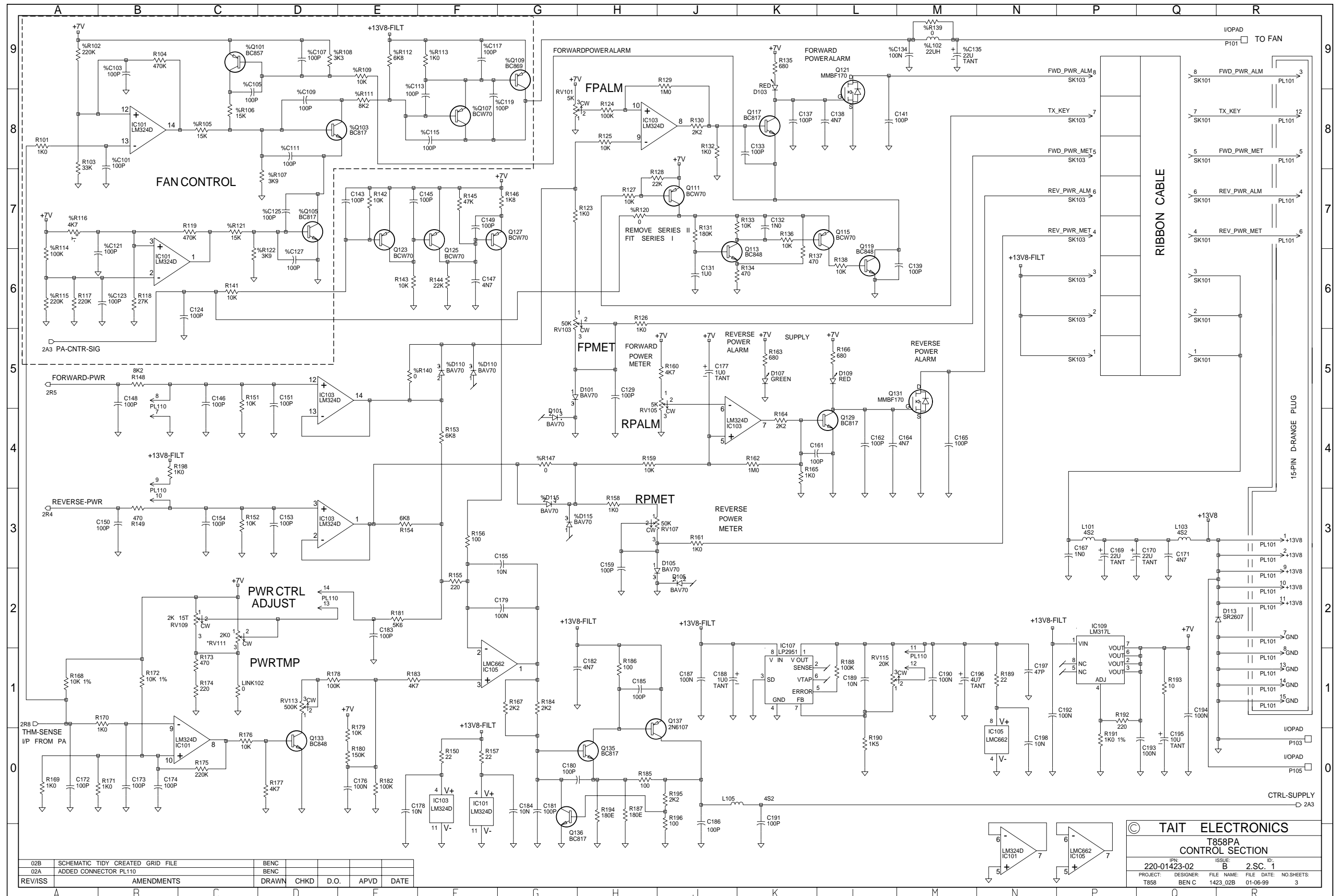
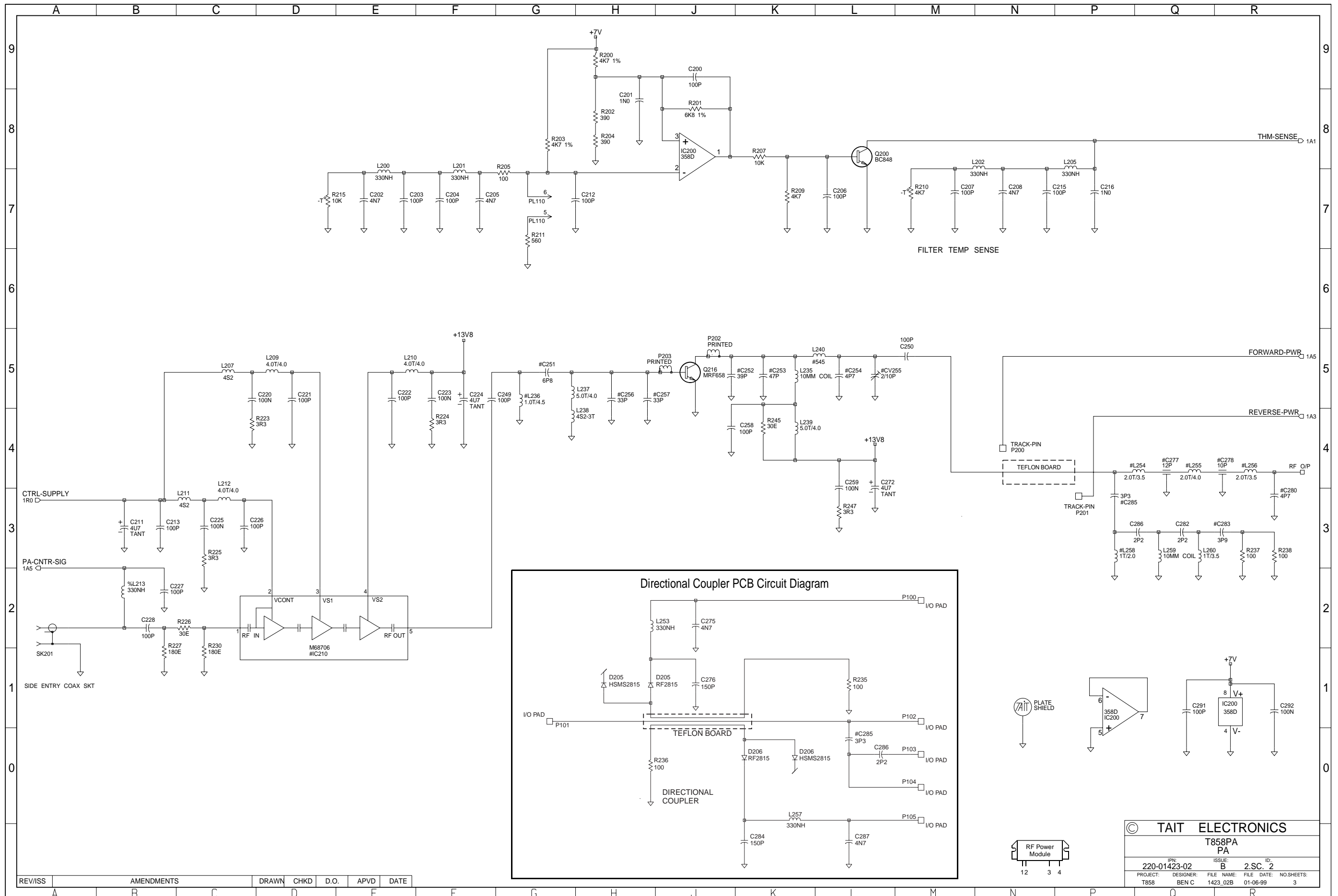


T858 PCB Layout - Top Side
 220-01423-02





REV/ISS	AMENDMENTS	DRAWN	CHKD	D.O.	APVD	DATE
A						
B						
C						
D						
E						
F						
G						
H						
J						
K						
L						
M						
N						
P						
Q						
R						

© TAIT ELECTRONICS

T858PA
PA

IPN: 220-01423-02	ISSUE: B	ID: 2.S.C. 2
PROJECT: T858	DESIGNER: BEN C	FILE DATE: 1423_02B
		FILE DATE: 01-06-99
		NO. SHEETS: 3